

# KitchenAid® 30" (76.2 CM) ELECTRIC BUILT-IN MICROWAVE/OVEN COMBINATION

HOME APPLIANCES

## PRODUCT MODEL SERIES

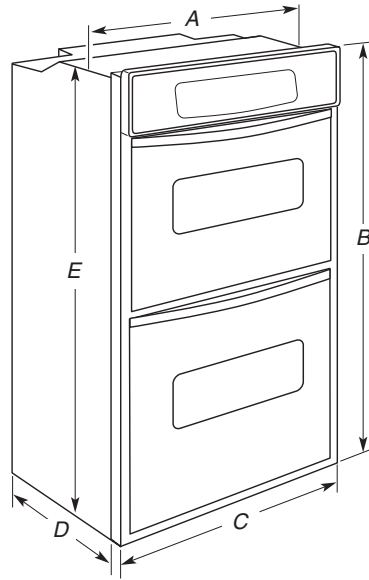
KEHU309S

**Electrical:** Oven must be connected to the proper electrical voltage and frequency as specified on the model/serial number rating plate. (The model/serial number rating plate is located at the bottom of the right-hand mounting rail.) Models rated from 7.3 to 9.6 kW at 240 volts (5.5 to 7.2 kW at 208 volts) require a separate 50-amp circuit. Models rated at 7.2 kW and below at 240 volts (5.4 kW and below at 208 volts) require a separate 30-amp circuit.

A circuit breaker is recommended. Connect directly to the fused disconnect (or circuit breaker box) through flexible, armored or nonmetallic sheathed, copper cable (with grounding wire).

**Water:** A cold water supply with water pressure between 30 and 120 psi (207 and 827 kPa) is required to operate the steam feature. In Massachusetts, plumbing code 248 CMR 3.00 and 10.00 must be followed. If you have questions about your water pressure call a licensed, qualified plumber.

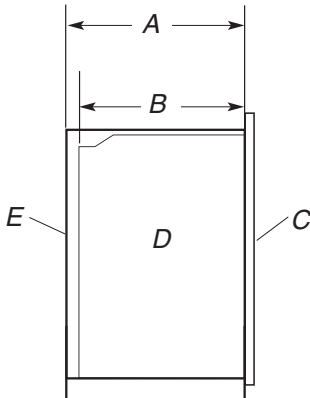
## OVERALL DIMENSIONS



- A. 28<sup>5</sup>/<sub>16</sub>" (71.9 cm) recessed width
- B. 42<sup>9</sup>/<sub>16</sub>" (107.5 cm) overall height
- C. 29<sup>3</sup>/<sub>4</sub>" (75.6 cm) overall width
- D. 23" (58.4 cm) max. recessed depth
- E. 40<sup>3</sup>/<sub>4</sub>" (103.5 cm) recessed height

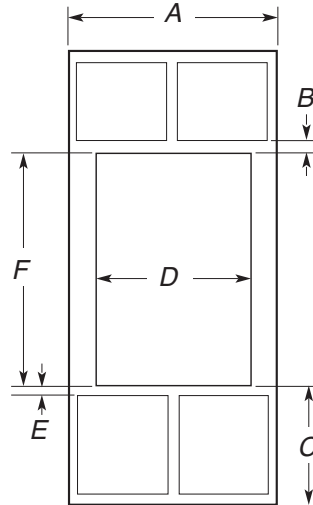
## CABINET OPENING DIMENSIONS

Cabinet Side View



- A. 24" (61.0 cm) min. cutout depth
- B. 23" (58.4 cm) recessed oven depth
- C. Oven front
- D. Recessed oven
- E. Cabinet

Cabinet Dimensions



- A. 30" (76.2 cm) min. cabinet width
- B. 1" (2.5 cm) top of cutout to bottom of upper cabinet door
- C. 19 1/4" (48.9 cm) bottom of cutout to floor
- D. 28 1/2" (72.4 cm) cutout width
- E. 1 1/2" (3.8 cm) min. bottom of cutout to top of cabinet door
- F. 41 1/4" (104.8 cm) min. cutout height

Typical Water Filtration System Installation Configuration

NOTE: For unique installations contact a licensed plumber.

